

Power Transducer Series

MULTI POWER MONITOR

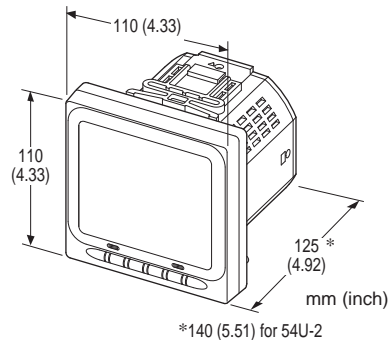
(4 digital displays, CC-Link)

Functions & Features

- Measures simultaneously several variables of a heavy-current power system: current, voltage, active, reactive and apparent power, active and reactive energy, power factor, frequency, etc.
- All measured values, counter values, display mode, setting data are stored in the non-volatile memory at the power off
- Parameters are programmable using the front keys or the PC via infrared interface
- Mounted using M5 screws or mounting brackets
- 60-segment bargraph
- Displayed measurands are freely selectable
- Open collector output for alarm or energy count
- Loop test output

Typical Applications

- Multi-functional power monitor incorporated in an electric device: saves space, wiring works, and cost



MODEL: 54UC-[1][2][3][4]-AD4[5]

ORDERING INFORMATION

- Code number: 54UC-[1][2][3][4]-AD4[5]
- Specify a code from below for each [1] through [5]. (e.g. 54UC-1211-AD4)

[1] CONFIGURATION

- 1: Single-phase / 2-wire and 3-wire, 3-phase / 3-wire
- 2: Single-phase / 2-wire and 3-wire, 3-phase / 3-wire and 4-wire

[2] INPUT

- 1: 480 V / 1 A AC
- 2: 480 V / 5 A AC

[3] DISCRETE INPUT

- 0: None ('External Interface' code 1 Not selectable.)
- 1: 24V DC ('External Interface' codes 2 Not selectable.)
- 2: 110V DC ('External Interface' codes 2 Not selectable.)

[4] EXTERNAL INTERFACE

- 1: CC-Link, Do × 1, Di × 1
- 2: CC-Link, Do × 2

AUXILIARY POWER SUPPLY

AD4: 100 - 240 V AC / 110 - 240 V DC (universal)

[5] OPTIONS

LANGUAGE

- Blank: Japanese
/E: English

RELATED PRODUCTS

- Infrared Communication Adaptor (model: COP-IRU)
 - PC configurator software (model: PMCFG)
- Downloadable at M-System's web site.

GENERAL SPECIFICATIONS

Construction: 110-mm square panel flush mounted

Degree of protection

Front panel: IP 50

Terminal block, housing: IP 30

Connection

Voltage input: M4 screw terminals (torque 1.4 N·m)

Current input: M4 screw terminals (torque 1.4 N·m)

Output, power: M3 screw terminals (torque 0.6 N·m)

Configuration

Code 1: Single phase/2-wire and 3-wire, 3-phase/3-wire balanced/unbalanced load

Code 2: Single phase/2-wire and 3-wire, 3-phase/3-wire balanced/unbalanced load, 3-phase/4-wire balanced/unbalanced load

Housing material: Flame-resistant resin (black)

Isolation: Voltage input to current input to discrete input to CC-Link to discrete output to power to FG1

Measured variables

Voltage: 1 - 2, 2 - 3, 3 - 1, 1 - N, 2 - N, 3 - N

Current: 1, 2, 3, N

Active / reactive / apparent power: 1, 2, 3, Σ

Power factor: 1, 2, 3, Σ

Frequency

Phase angle between voltages: 1 - 2, 2 - 3, 3 - 1

Active energy incoming / outgoing: Σ

Reactive energy inductive / capacitive: Σ

Apparent energy: Σ

Active / reactive / apparent power intervals (demand)

Current intervals (demand): 1, 2, 3, N

Harmonic contents: Σ , 2nd to 31st

Voltage: 1 - 2, 2 - 3, 3 - 1, 1 - N, 2 - N, 3 - N

Current: 1, 2, 3, N

Max. and min. values: 1 = R, 2 = S, 3 = T

■ **DISPLAY:** LCD with LED backlight (LED OFF timer available)

Signed: 4 digits, 2 lines

Energy: 9 digits, 1 line

Bargraph: 1 point (60 segments)

INPUT SPECIFICATIONS

Frequency: 50 / 60 Hz (45 - 65 Hz)

• Voltage Input

Rated voltage

Line-to-line (delta voltage): 480 V

Line-neutral (phase voltage): 277 V

Consumption VA: $\leq U_{LN}^2 / 300 \text{ k}\Omega$ / phase

Overload capacity: 200 % of rating for 10 sec., 120 % continuous

Selectable primary voltage range: 50 - 400 000 V

• Current Input

Rated current: 1 A or 5 A

Consumption VA: $\leq I^2 \cdot 0.01 \Omega$ / phase

Overload capacity: 4000 % of rating for 1 sec., 2000 % for 4 sec., 120 % continuous

Selectable primary current range: 1 - 20 000 A

Operational range

Voltage, current, apparent power: ≤ 120 % of the rating

Active / reactive power: -120 to +120 % of the rating

Frequency: 45 - 65 Hz

Power factor: -1 to +1

■ **DISCRETE INPUT:** 24 V DC or 110 V DC

(input resistance 6 k Ω)

Detecting voltage: External 24 V DC ± 10 % or 110 V DC ± 10 %

ON current: $\geq 1 \text{ mA}$ ($\leq 24 \text{ k}\Omega$ @ 24 V, $\leq 110 \text{ k}\Omega$ @ 110 V)

OFF current: $\leq 0.1 \text{ mA}$ ($\geq 240 \text{ k}\Omega$ @ 24 V, $\geq 1.1 \text{ M}\Omega$ @ 110 V)

Detecting time: 10 - 1000 msec.

The status can be monitored on the CC-Link; usable to reset energy count or to update average (demand) value

OUTPUT SPECIFICATIONS

■ NETWORK INTERFACE

Transmission: CC-Link Version 1.10

Connection: Terminal block

Transmission cable: Conforms to CC-Link

Node address setting: Control buttons; 1 - 64

Device type: Remote device station

Required node: 1

Transfer rate: Control buttons

Indication: 'COM' segment turns on in normal communications

• Open Collector

Programmable for either alarm or energy count.

Max. rated load: 130 V DC @50 mA

Continuous rated load: 130 V DC @30 mA

Saturation voltage: 1.5 V DC

Measurands applicable to alarm: Voltage, current, average current (demand), neutral current, frequency, power, average power (demand)

(ON delay, deadband and other parameters are selectable)

Measurands applicable to count: Energy;

Pulse rate selectable within

0.1 - 10 000.0 kWh/p, kvarh/p, kVAh/p

INSTALLATION

Power input

• **AC:** Operational voltage range 85 - 264 V, 50 / 60 Hz; < 8 VA

• **DC:** Operational voltage range 99 - 264 V < 4 W; ripple 10 % p-p max.

Operating temperature: -10 to +55°C (14 to 131°F)

Storage temperature: -20 to +80°C (-4 to +176°F)

Operating humidity: 90 % RH max. (non-condensing)

Mounting: Panel flush mounting (M5 screws (torque 2 N·m) or mounting brackets)

Weight

54UC-1: 500 g (1.1 lbs)

54UC-2: 525 g (1.16 lbs)

PERFORMANCE

Accuracy

(at 23°C ± 10 °C or 73.4°F ± 18 °F, 45 - 65 Hz)

Voltage: ± 0.3 %; Rated voltage at $\geq 100 \text{ V}$, 100 V at < 100 V

Current: ± 0.3 %; of Span 1 A or 5 A

Power: ± 0.5 %; Rated voltage/current at $\geq 100 \text{ V}$

Wattage as listed below at < 100 V:

173.2 W (1 A) or 866 W (5 A) for 3ph/3w

100 W (1 A) or 500 W (5 A) for 1ph/2w

200 W (1 A) or 1000 W (5 A) for 1ph/3w

300 W (1 A) or 1500 W (5 A) for 3ph/4w

PF: $\pm 0.5\%$

Frequency: $\pm 0.1\%$ of Span

Energy: $\pm 1\%$

Harmonic: $\pm 1\%$ of Span

Response time: ≤ 2 sec. (0 - 99 %),
 ≤ 3 sec. for frequency and harmonic contents

Sampling time:

Harmonic contents and frequency: ≤ 1.1 sec.

Other: ≤ 600 msec.

Insulation resistance: ≥ 100 M Ω with 500 V DC (voltage input to current input to discrete input to CC-Link to discrete output to power to FG1)

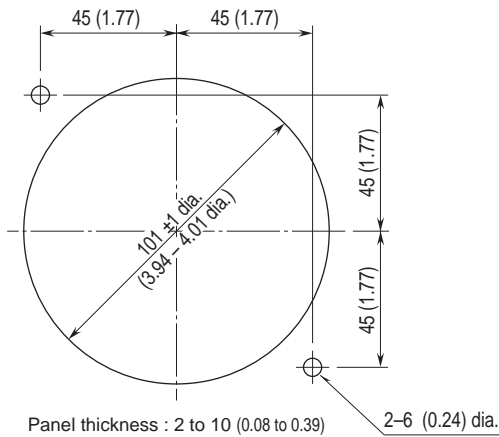
Dielectric strength: 2000 V AC @ 1 minute
 (voltage input to current input to discrete input to CC-Link to discrete output to power to FG1)
 2000 V AC @1 minute (circuits to housing)

MOUNTING REQUIREMENTS

■ PANEL CUTOUT unit: mm (inch)

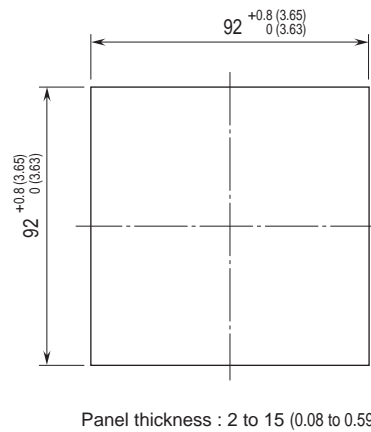
• USING MOUNTING SCREWS

Remove the mounting brackets.



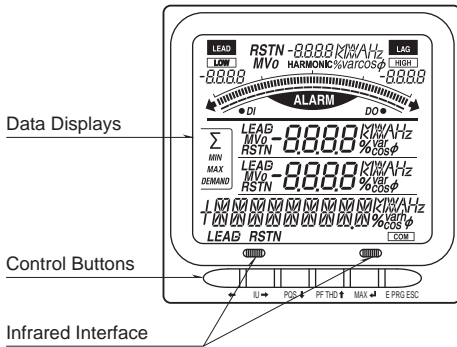
• USING MOUNTING BRACKETS

Remove the mounting screws.



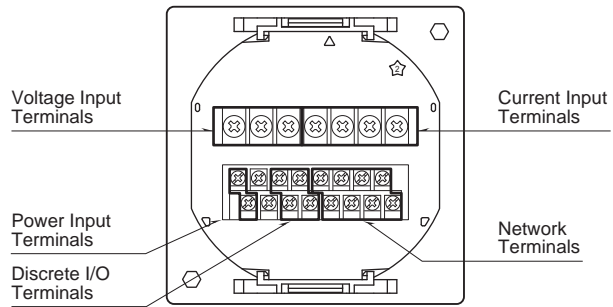
EXTERNAL VIEW

FRONT VIEW

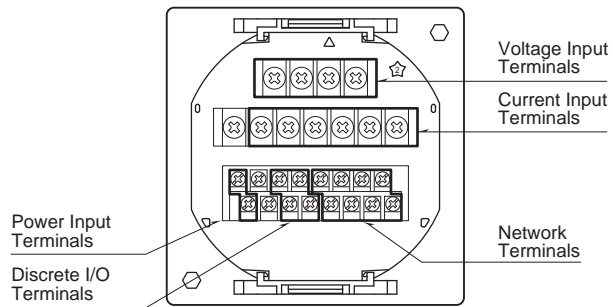


REAR VIEW

• 54UC-1

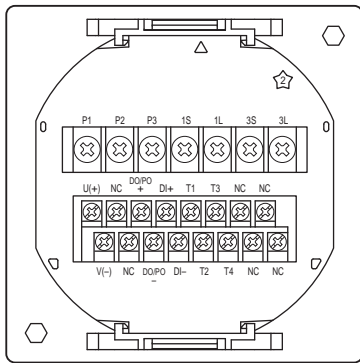


• 54UC-2



TERMINAL CONNECTIONS

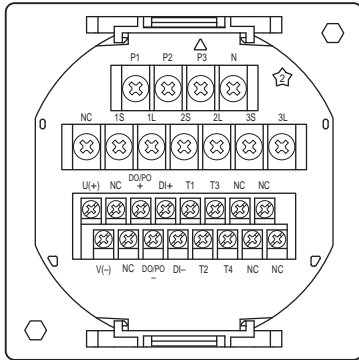
■ 54UC-1



System / Application	Terminal
Single-phase / 2-wire	
Three-phase / 3-wire, balanced load	

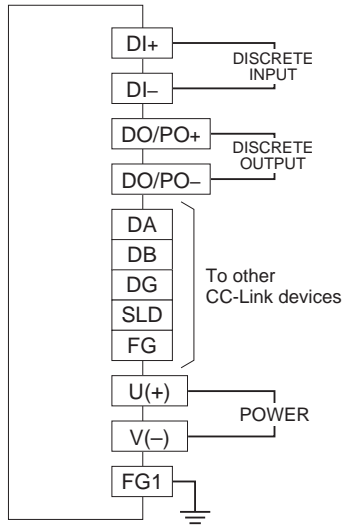
System / Application	Terminal
Single-phase / 3-wire	
Three-phase / 3-wire, unbalanced load (2CT)	

■ 54UC-2

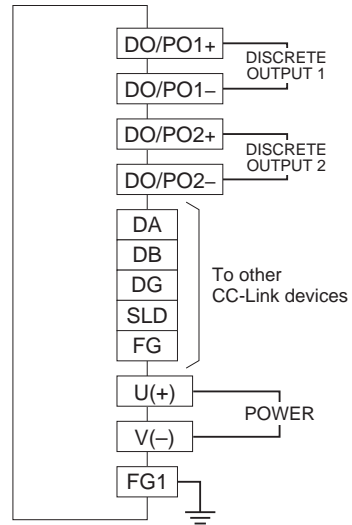


System / Application	Terminal	System / Application	Terminal
Single-phase / 2-wire			
Three-phase / 3-wire, balanced load			
Three-phase / 3-wire, unbalanced load (3CT)			

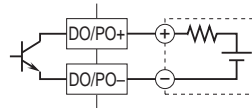
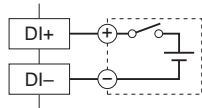
EXTERNAL INTERFACE CODE: 1



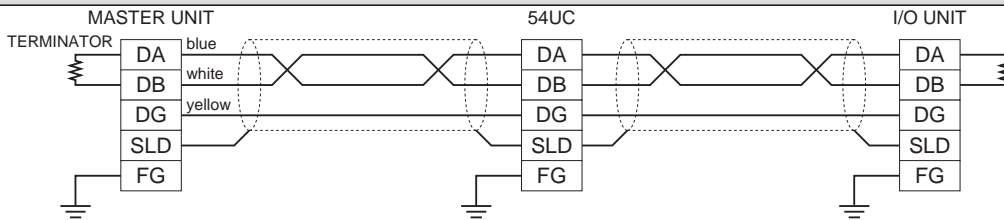
EXTERNAL INTERFACE CODE: 2



- Discrete Input Connection E.g.
- Discrete Output Connection E.g.

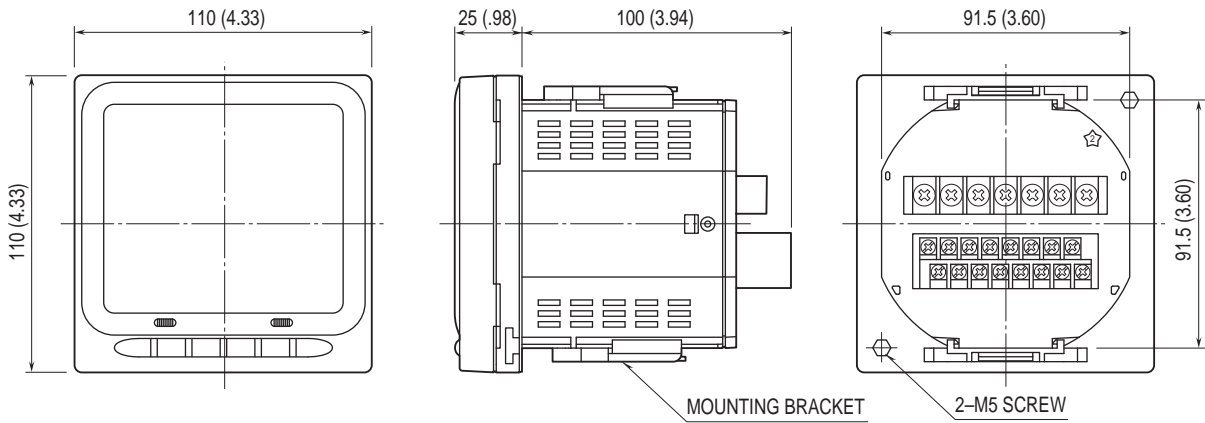


MODBUS WIRING CONNECTION

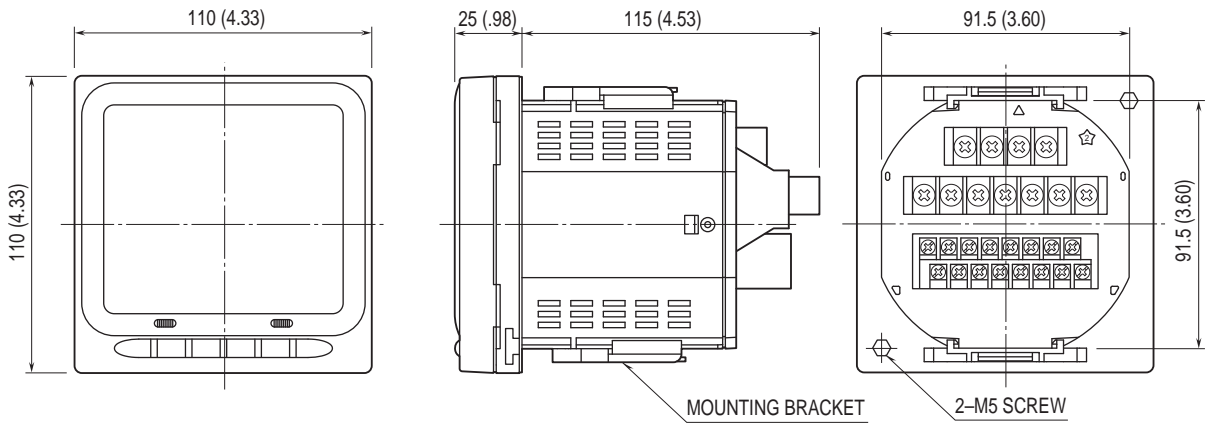


DIMENSIONS unit: mm (inch)

■ 54U-1



■ 54U-2



Specifications are subject to change without notice.