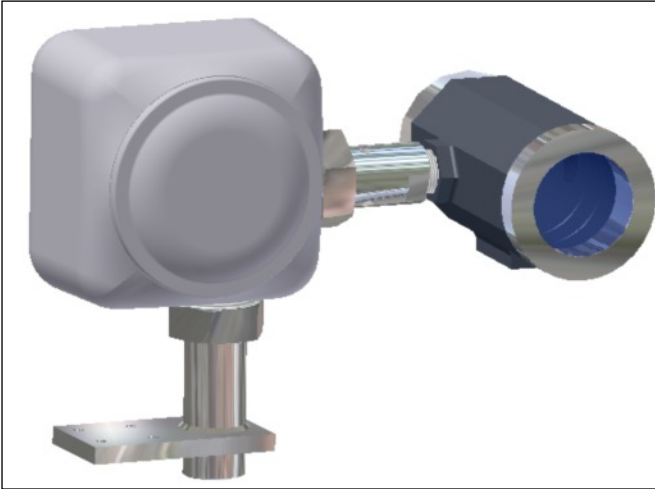


CANTY

PROCESS TECHNOLOGY

EXPLOSION PROOF PAN & TILT WITH INTEGRAL CAMERA



APPROVALS

Canty pan & tilt systems have been designed for use in hazardous areas in accordance with explosion proof, and flame proof requirements.

- Class I, Div. 1, Groups B, C & D
- Class II, Div. 1, Groups E, F & G, & NEMA 4 areas
- EEx d IIC T6, IP66

THE CANTY ADVANTAGE

Canty explosion proof, flame proof pan and tilt systems have been engineered for the rigorous requirements of industrial applications. Every component in a Canty pan & tilt system has been specifically chosen for quality, performance and reliability.

- Fused Glass - For Harsh Industrial Environments
- Heavy Duty, Rugged Enclosures.
- Compact Design
- 120 V or 230 V Models
- Completely Pre-Wired
- Indoor, Outdoor Operation

All pan & tilt systems are fully compatible with any Canty camera. We feature a complete line of fixed lenses, zoom lenses, switches, monitors, amplifiers, VCRs, surveillance systems and process control equipment.

Please consult the factory, or your local Canty representative for more details.

SPECIFICATIONS

ELECTRICAL REQUIREMENTS

- Operating Voltage: 120 V AC, 60 Hz (US) or 230 V AC, 50 Hz (Europe)
- Current Requirements: .35 A max running
.50 A max starting
- Motors: Single phase induction type, reversible
- Connectors: 15 conductor, 16 AWG pigtails provided
- Controller: Desk top mounted pan & tilt controller included

MECHANICAL SPECIFICATIONS

- Pan: Speed: 6 degrees / second
Movement: 0-340 degrees
Torque: 42 inch pounds (4.7 N-m)
- Tilt: Speed: 6 degrees / second
Movement: +/- 90 degrees
Torque: 42 inch pounds (4.7 N-m)
- Stop Limits: Cam guided
- Weight: 30 pounds (13.6 Kg)
- External Construction: Cast aluminum body with stainless steel fittings
- Maximum Temperature: -10° to 120°F (-23° to 60°C)
- Breaking: Mechanical
- Bearings: Ball bearings / bronze bushings
- Mounting: Includes wall mount bracket VC5100-1 with VC5101-1 support strut

ACCESSORIES

- Video Switchers - 4, 8 or 16 input models
- Distribution Amplifiers - to display one camera on several monitors
- Equalizing Amplifiers - for long cable runs
- Fiber Optic Link - Fiber optic video transmission for cable runs up to 1 mile typ. Call factory for longer cable runs.
- Time / Date Generators
- Data Overlay Modules
- VCR Recording
- Many, Many More.

CANTY

JM Canty Inc | Buffalo, NY USA | Ph: (716) 625 4227 | Fax: (716) 625 4228
JM Canty Intl Ltd | Dublin, Ireland | Ph: +353 (01) 882 9621 | Fax: +353 (01) 882 9622

www.jmcanty.com

HOW TO ORDER: Select the appropriate symbols and build a part number as shown:

EXAMPLE: **VSPTE-VSE5011-2**

PAN & TILT OPTIONS

VSPTE - Explosion proof pan/tilt, 120V AC supply. Rated for use in Class I, Div 1, Groups B, C & D. Class II, Div 1, Groups E, F & G and NEMA 4 areas.
 VEPTTE - Flame proof pan/tilt, 230V AC supply. Rated for use in EEx d II C T6 and IP66 areas.

VIDEO OUTPUT FORMAT

VS - North American Standard
 VE - European Standard

CAMERA OPTIONS

B - B&W camera
 C - Color camera
 L - Low Light B&W camera
 I - Color Neutral
 E - Ethernet camera

CAMERA APPLICATION

5 - Surveillance with aluminum enclosure

Ethernet Camera PSU Options

3 - No separate PSU required. PSU is integral to Ethernet Controller.

B&W, Color, Low Light B&W, IR (Near) Camera PSU Options

0 - Non WP or EXP camera power supply
 2 - EXP or FP camera power supply. EXP PSU enclosure is rated Class I, Div. 1, Groups C & D.

PAN/TILT CONTROLLER

2 - Joy Stick Controller - Manual Control of Pan, Tilt.
 3 - Ethernet Controller - Includes Additional Control Box & Software For Ethernet Control of Pan & Tilt. Reference Datasheet TA9645-1.

ADDITIONAL OPTIONS

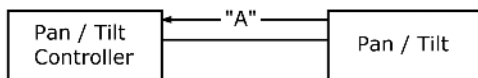
1 - No additional options
 3 - Spray Ring

LENS OPTION AND APPROXIMATE LENS VIEW ANGLES

1 - Manual iris lens with standard view angle, 41°H x 31°V
 2 - Manual iris lens with wide view angle, 69°H x 53°V
 3 - Manual iris lens with wide view angle, 58°H x 45°V
 6 - Manual iris lens with narrow view angle, 7°H x 5°V
 7 - 6x Zoom Lens with Auto Iris, 8 - 48mm FL
 Provides view angles: 43°H x 33°V at 8mm
 8°H x 6°V at 48mm
 8 - Manual iris lens with narrow view angle, 3.5°H x 2.5°V
 9 - Ethernet Camera With 18X Zoom Lens and Auto Iris, 4.1 - 73.8 mm FL
 Provides view angles: 2.7°H X 2°V at 4.1mm
 48°H X 36°V at 73.8mm

CABLING REQUIREMENTS

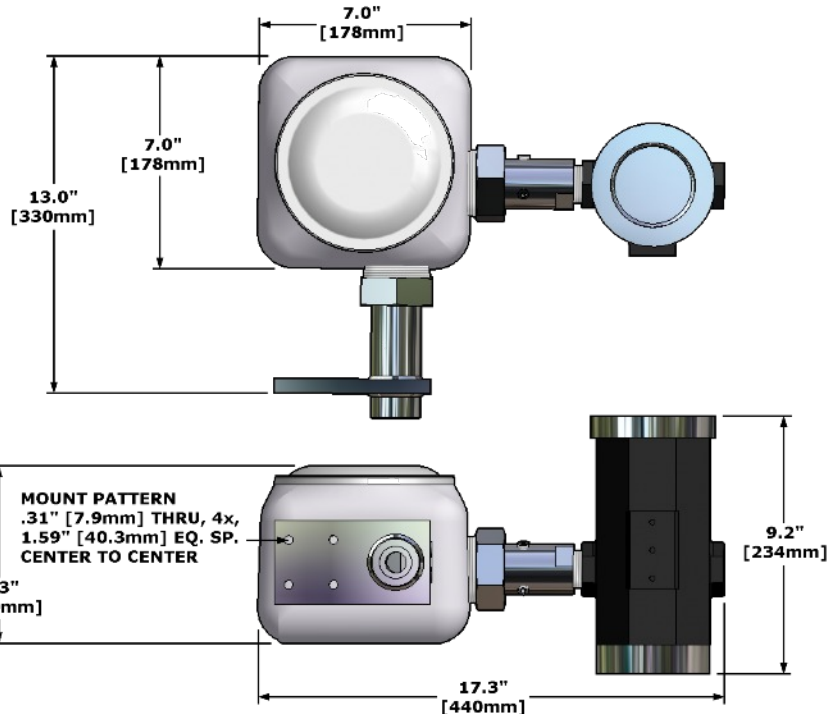
9 conductor cable (models without a zoom lens camera)
 12 conductor cable (models with a zoom lens camera)



Maximum Recommended Cable Distance "A"

AWG	120v MODEL	230v MODEL
18	800ft (244m)	4000ft (1220m)
16	1200ft (365m)	6000ft (1830m)

(Assuming a 10% (max) Voltage drop)



Mounting Brackets

All systems include a VC5100-100 wall mount bracket.

CANTY

JM Canty Inc

Buffalo, NY USA

Ph: (716) 625 4227

Fax: (716) 625 4228

JM Canty Intl Ltd

Dublin, Ireland

Ph: + 353 (01) 882 9621

Fax: +353 (01) 882 9622

www.jmcanty.com